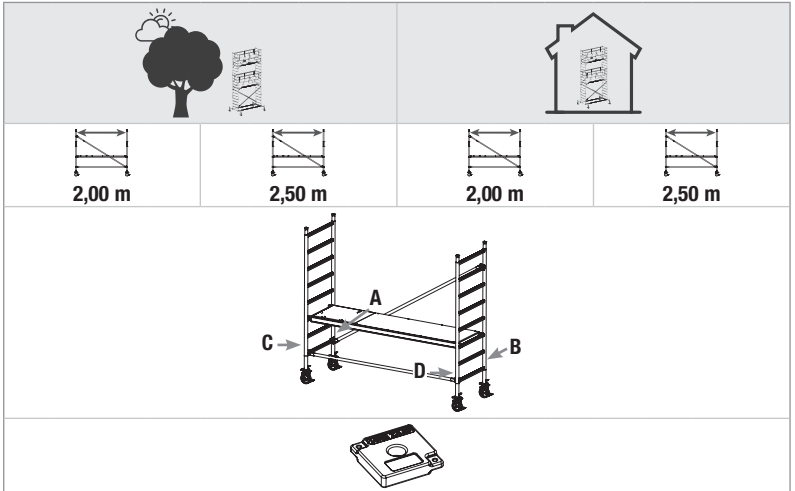
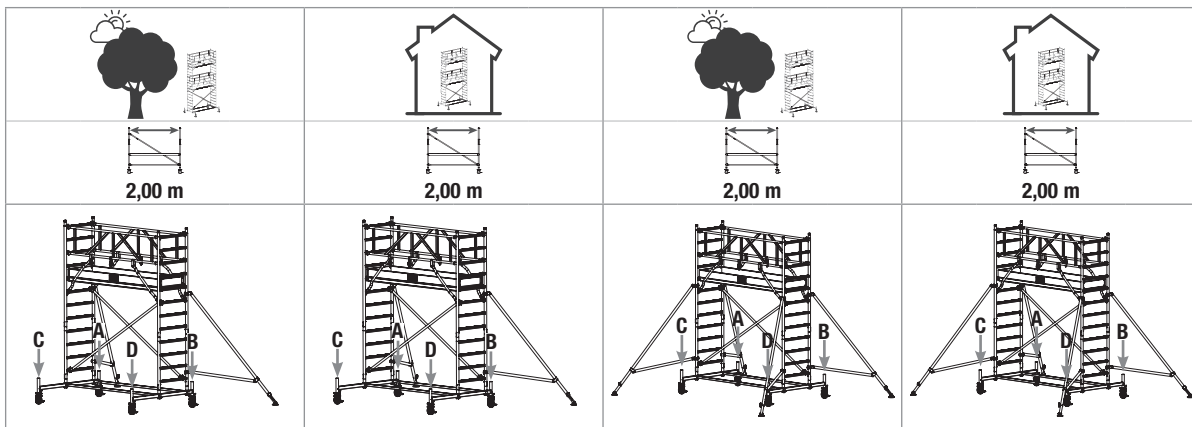
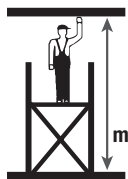


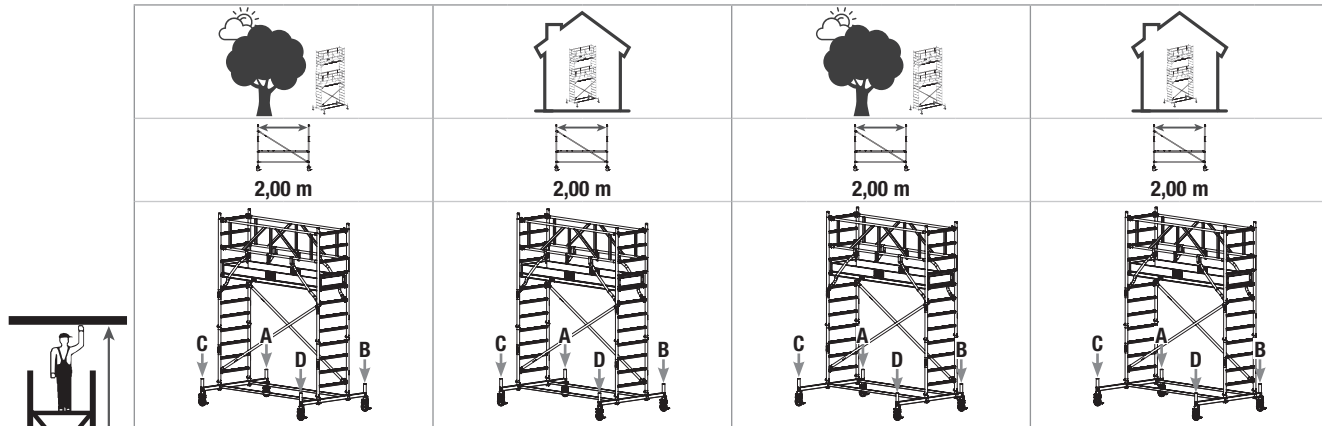
13.



	A	B	C	D	A	B	C	D	A	B	C	D	A	B	C	D
3,00	0	0	0	0	0	0	0	0	0	0	0	0	0	0	0	0



	A	B	C	D	A	B	C	D	A	B	C	D	A	B	C	D
4,40	0	0	0	0	0	0	0	0	0	0	0	0	0	0	0	0
5,40	0	0	0	0	0	0	0	0	0	0	0	0	0	0	0	0
6,40	1	1	1	1	1	1	1	1	0	0	0	0	0	0	0	0
7,40	2	2	2	2	2	2	2	2	0	0	0	0	0	0	0	0
8,40	3	3	3	3	3	3	3	3	1	1	1	1	0	0	0	0
9,40	5	5	5	5	3	3	3	3	2	2	2	2	0	0	0	0
10,40	X				4	4	4	4	3	3	3	3	0	0	0	0
11,40					5	5	5	5	X				0	0	0	0
12,40					5	5	5	5					1	1	1	1
13,40					X				X				2	2	2	2
14,40													2	2	2	2



	A	B	C	D	A	B	C	D	A	B	C	D	A	B	C	D																				
4,40	1	1	1	1	0	0	0	0	0	0	1	1	1	1	1	1																				
5,40	1	1	1	1	1	1	1	1	0	0	3	3	1	1	3	3																				
6,40	2	2	2	2	2	2	2	2	1	1	5	5	2	2	4	4																				
7,40	4	4	4	4	3	3	3	3	1	1	6	6	3	3	5	5																				
8,40	5	5	5	5	4	4	4	4	X	X	X	X	4	4	6	6																				
9,40	6	6	6	6	6	6	6																													
10,40	X				7	7	7	7	X				X																							
11,40					X												X																			
12,40																					X				X											
13,40																													X				X			
14,40																																				